

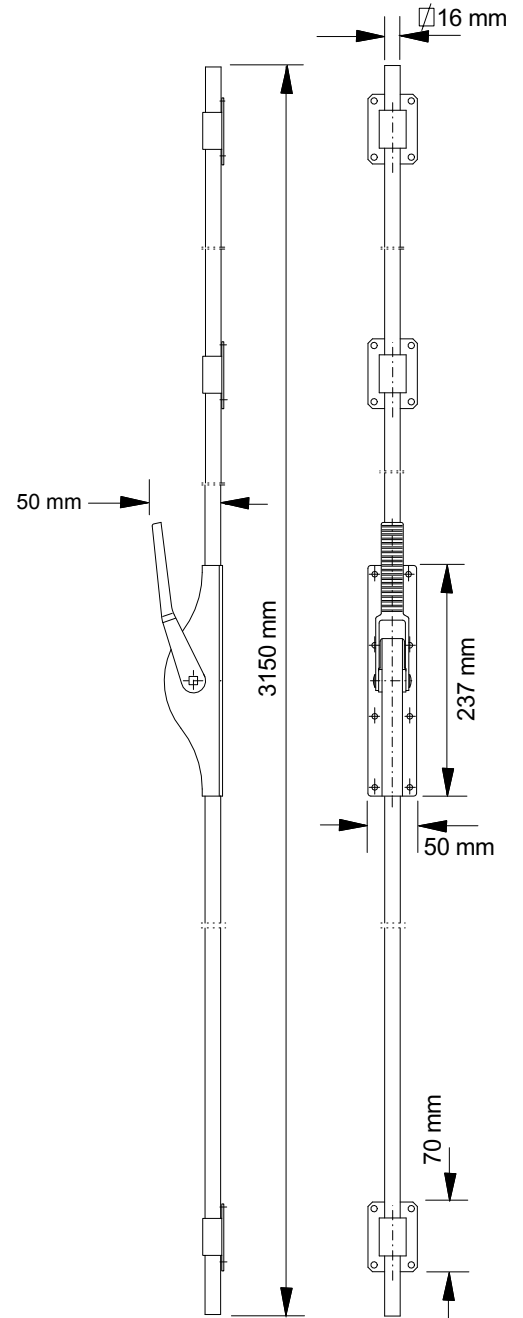
OSKARI-PIKASALPA 2/3 ESCAPE DOOR BOLT No. 2/3



Oven pintaan asennettava malli
raskaille oville.
Tangon liike 30 mm.

Surface mounted model for robust
doors.
Quantity of rod motion 30 mm between
open and close position.

Materiaali FE/ZN
Material Galvanized steel



Tuote tankoineen
Product No. with rods

1124101115

Tuote ilman tankoja
Product No. without rods

1124001112

